

前面 - FRONT SIDE

400x300mm



POWER YOUR NEXT ADVENTURE

 Smartphone Up To 8 Charges	 Tablet Up To 4 Charges	 15" Laptop Up To 2 Charges
 DSLR Camera Up To 8 Charges	 Drone Up To 4 Charges	 Gaming Device Up To 7 Charges

SWAPPING OUT YOUR BATTERY

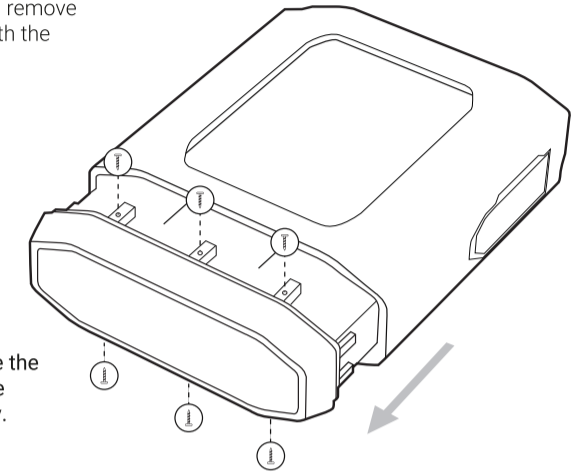
Whether you need a spare battery as a backup or need to replace old batteries, the Omni Ultimate+ offers a fully user replaceable battery pack.

1. Pull back the rubber cover and remove the 6 screws (top and bottom) with the included screw driver.

2. Pull the depleted battery out, and slide a fully charged one in making sure the plug is properly aligned.

3. Screw back in the 6 screws and tighten until firm.

Note: If you are unable to remove the battery pack try pulling the sleeve back before removing the battery.



BEFORE USING THE OMNI ULTIMATE+

Calibrate the battery

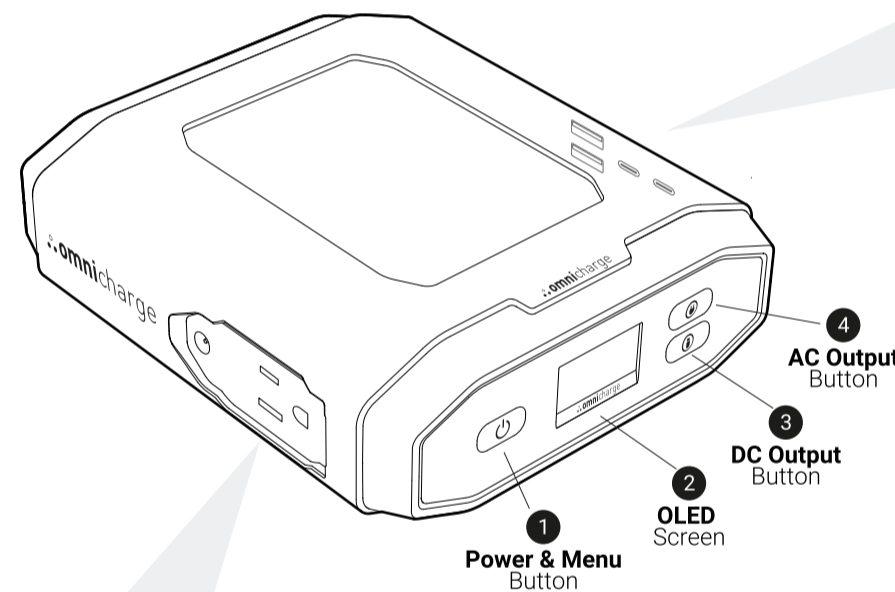
To ensure a correct battery readout, calibrate the battery when you first receive the product and periodically in the future.

1. Fully discharge the Omnicharge until it cannot be turned on. Press the Power Button and you should see an empty battery icon on the screen.

2. Fully charge your Omnicharge to 100% to finish the calibration. Once you see a fully charged battery icon, you can power the Omnicharge back on.



Note: When not in use, the Omnicharge should be stored at full battery and fully charged at least every 6 months to avoid over depletion. Failure to do so can cause the battery to malfunction and is not covered by warranty.



USB-C INPUT / OUTPUT PORTS

**MAX OUTPUT SINGLE PORT 100W
COMBINED OUTPUT 90W (45W EACH)**

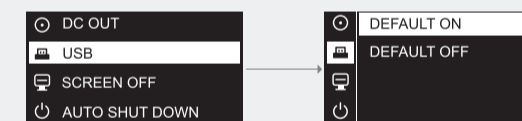
The USB-C port is always on and needs no configuration. Simply plug your USB-C device into the USB-C port to start charging.

Note: If your USB-C output does not start charging, try to reconnect the USB-C cable.

USB-A PORTS

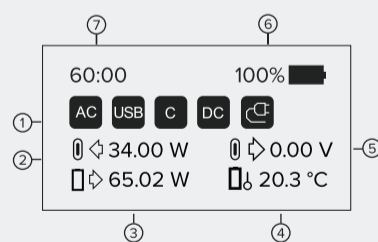
MAX OUTPUT 22.5W

1. Choose whether the USB output is on or off when you turn on your Omnicharge



SCREEN

OLED screen with real time metrics



- Status Icons
- Power Input (watts)
- Battery Power Output (watts)
- Battery Temperature
- DC Output Voltage
- Battery Percentage
- Time Remaining

BUTTON FUNCTIONS

PRIMARY CONTROLS

- Long press to power On
- Long press to power Off
- On/Off AC Outlet
- DC On/Off

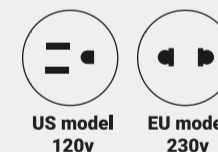
MENU CONTROLS

- Double press to enter the menu
- Quick press to select
- Move Up
- Move Down

AC OUTLET MAX OUTPUT 120W

- Press the AC Button to turn the AC output on/off
- The AC icon should appear on the screen

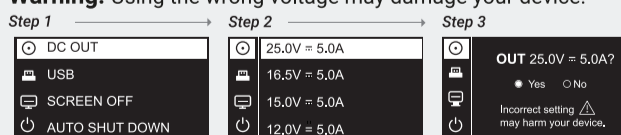
AC output



DC OUTPUT MAX OUTPUT 100W

The DC output feature allows you to directly output DC power through the barrel port. To use this feature you will need to know the voltage and amperage of your device and have a compatible cable.

Warning: Using the wrong voltage may damage your device.



Once active, the DC icon will appear on the screen.

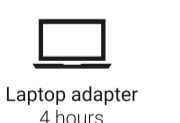
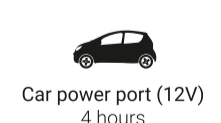
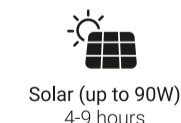
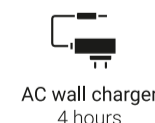
Omnicharge keeps 4 voltage presets. You can press and hold the power button while selecting a preset to customize the voltage and amperage.

RECHARGING YOUR OMNICHARGE

1) FROM THE USB-C PORTS

USB-C port max input: 90W

Connect a USB-C wall charger and it will automatically start recharging the Omni Ultimate. If the Omnicharge does not detect incoming power, try to plug in your USB-C charger while the Omnicharge is turned off.



PASS-THROUGH CHARGING

Pass-through charging means that you input power to the Omnicharge while outputting power to your device (passing the power through the Omnicharge). The Omni Ultimate+ can input power from either USB-C or DC port, and can output from all other ports at the same time.

Note: The DC and USB-C port share a charging circuit. When pass-through charging, only one USB-C port may be used at a time.

背面 - BACK SIDE

400x300mm

OMNICHARGE ONE-YEAR LIMITED MANUFACTURER'S WARRANTY

Omnicharge warrants that its hardware product shall be free from defects in materials and workmanship for one (1) year beginning from the date of original retail purchase. Omnicharge does not warrant against normal wear and tear, nor damage caused by accident or abuse.

See www.omnicharge.co/warranty for specific warranty information about your product and procedures to act on a warranty claim. Omnicharge's entire liability and your exclusive remedy for any breach of warranty shall be at Omnicharge's option, to repair or replace a functional equivalent of the product. You may be required to furnish proof of purchase details when making a claim under this warranty. Warranty protections are in addition to rights provided under local consumer laws and may vary among countries, states and provinces. See the full warranty information to know your consumer rights and the additional protections provided by this product warranty.

www.omnicharge.co/warranty

CUSTOMER SUPPORT

All Omnicharge products have gone through quality inspection. If you find your Omnicharge or any Omnicharge accessory is demonstrating any abnormal behavior, immediately stop all product use and contact us at: support@omnicharge.co, or visit our help center at <https://support.omnicharge.co>



SCREEN ICONS

- AC OUTPUT**
AC outlet is activated.
- USB OUTPUT**
USB ports are turned on.
- RECHARGING**
Your Omnicharge is being charged.
- ADJUSTABLE DC OUTPUT**
Adjustable DC output is activated.
- OPTIMAL CHARGING**
Charging at maximum power.
- SOLAR CHARGING**
Charging from solar power.
- LOW TEMPERATURE PROTECTION**
Battery's temperature is too low, the charging circuit is shut off.
- OVERHEATING PROTECTION**
Battery temperature is too high. Omnicharge will limit or cut off its input and output power.
- OVERPOWER PROTECTION**
Device is drawing too much power. Omnicharge will limit or cut off the output power.
- LOW POWER PROTECTION**
If output is higher than input and the battery is empty, Omnicharge will cut power until a sufficient battery level has been reached.
- OVERVOLTAGE PROTECTION**
The barrel input voltage exceeds the 25V charging limit. The Input charging circuit is shut off.

MENU NAVIGATION

- DC OUT**
Turn on DC output. Set the voltage and amperage by long pressing the power button.
Screenshots: DC OUT menu with options WALL SOCKET, USB, SCREEN OFF; 20.0V = 5.0A, 16.5V = 5.0A, 15.0V = 5.0A, 12.0V = 5.0A; Confirmation screen: OUT 20.0V = 5.0A? Yes No. Incorrect setting may harm your device.
- USB**
Choose whether your USB-A ports are On/Off at start. The default setting is on.
Screenshots: DC OUT menu with options WALL SOCKET, USB, SCREEN OFF; DEFAULT OFF, DEFAULT ON.
- SCREEN OFF TIMER**
Set the screen auto shut-off time here. The default setting is 5 min.
Screenshots: DC OUT menu with options WALL SOCKET, USB, SCREEN OFF; NEVER, 1 MIN, 5 MIN.
- AUTO SHUT DOWN**
Set the power auto shut-off time here. The default setting is 5 min.
Screenshots: AUTO SHUT DOWN menu with options TEMPERATURE, BUTTON LIGHT, TIME REMAINING; NEVER, 1 MIN, 5 MIN.
- TEMPERATURE**
Choose whether your temperature is displayed in celsius or fahrenheit.
Screenshots: AUTO SHUT DOWN menu with options TEMPERATURE, BUTTON LIGHT, TIME REMAINING; °C, °F.

FREQUENTLY ASKED QUESTIONS

- Can I carry my Omni Ultimate+ with me on the plane?**
This depends on the airline. Many airlines allow up to two batteries between 100Wh - 150Wh with airline approval. In most cases this just means that you need to fill out a form at check-in. If you are unsure, consult with your airline prior to travel.
- Can I charge the Omnicharge while powering my devices?**
Yes, this is known as pass-through charging. The Omni Ultimate+ can input power from either USB-C or DC port, and can output from all other ports at the same time. The DC and USB-C port share a charging circuit. When pass-through charging, only one USB-C port may be used at a time.
- My Omnicharge is overheating while recharging.**
Fast charging generates a lot of heat. When recharging immediately after a heavy discharge, you may experience an OT (over temperature) warning. This is normal behavior, the Omnicharge will resume charging once it has reached a functional temperature.
- Can I charge my Omnicharge from a solar panel?**
Yes, the Omni Ultimate+ can be recharged using most portable solar panels. Make sure your solar panel falls within the specs of the DC barrel port (5v-25v)
- Why is my Omnicharge outputting power when nothing is connected?**
This is perfectly normal behavior. The passive power draw can vary from 0.2W-1.5W and is required for the onboard circuits and display.
- What is USB PD (Power Delivery)?**
USB PD is a unified charging standard that uses standardized voltages which allows one universal USB-C charger to power other PD compatible devices like laptops, tablets, or phones.

SAFETY AND HANDLING

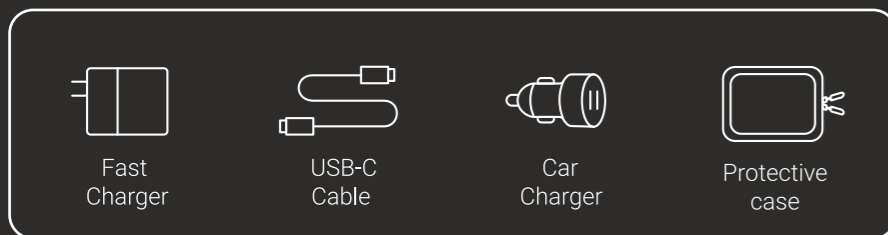
Read all instructions and cautions carefully before use to avoid personal injury or damage to the unit and any connected products.

- Handling**
Set up your Omnicharge on a hard, stable work surface which allows for adequate air ventilation around the power bank. The Omnicharge may be damaged if dropped, burned, punctured, crushed, exposed to heat or moisture. Do not use a damaged Omnicharge as it may cause injury.
- High Temperature**
Do not store the device in high-temperature environments, including heat caused by intense sunlight or other forms of heat. Do not place the device in excessively hot environments like cars or near fire.
- Shock or Fire Hazard**
Omnicharge products with AC output generate the same potentially lethal AC power as a normal household wall outlet. Please use it carefully just like using a normal AC wall outlet. DO NOT insert foreign objects into outputs or ventilation holes.
- DC Output**
Omnicharge products with DC output operate on a specified voltage. Check your device specifications for the operating voltage before use. Improper use of DC output may harm your device.

- BUTTON LIGHT**
Choose whether the button lights are on or off. The default setting is on.
Screenshots: AUTO SHUT DOWN menu with options TEMPERATURE, BUTTON LIGHT, TIME REMAINING; DEFAULT OFF, DEFAULT ON.
- TIME REMAINING**
Choose whether the time remaining is displayed.
Screenshots: AUTO SHUT DOWN menu with options TEMPERATURE, BUTTON LIGHT, TIME REMAINING; HIDE, SHOW. This value is for reference only.
- LANGUAGE**
Choose the screen language.
Screenshots: LANGUAGE menu with options FACTORY RESET, ABOUT, EXIT; ENGLISH, 简体中文.
- FACTORY RESET**
Reset the Omnicharge to the factory settings.
Screenshots: LANGUAGE menu with options FACTORY RESET, ABOUT, EXIT; Confirmation screen: Confirm Reset? Yes No. This operation will reset all settings!
- ABOUT**
Find the model name, capacity, firmware version, and serial number information here.
Screenshots: LANGUAGE menu with options FACTORY RESET, ABOUT, EXIT; Model: Omni Ultimate, Cap: 142Wh, Ver: 1.3.2A/1.0.0A, SN: 2ADF070109.

JOIN OUR COMMUNITY TODAY

And get one of these accessories:



SCAN QR CODE

To register your Omni Ultimate+ and claim your free accessory.

Visit <https://www.omnicharge.co/community>

5. Battery
Your Omnicharge is not user serviceable, do not attempt to replace or modify the battery yourself, this may damage the battery which can cause overheating, fire or injury. Improperly replaced batteries may present a risk of leakage, explosion and personal injury. Any manipulation to the unit or its components will void all warranties.

6. Recycling
The battery in your device should be serviced or recycled by an authorized service provider, and must be recycled or disposed of separately from household waste. Dispose of batteries according to your local environmental laws and guidelines. If no laws or regulations govern, dispose of your Omnicharge in a waste bin for electronics.

NOTICE

This product is meant for use only in conjunction with appropriate devices. Please consult your device packaging to determine whether this product is compatible with your particular device. The manufacturer is not responsible for any damages to any device incurred through the use of this product. The manufacturer shall not in any way be liable to you or to any third party for any damages you or any third party may suffer as a result of use, intended or unintended, or misuse of this product in conjunction with any device or accessory other than the appropriate device for which this product is designed. The manufacturer shall not be responsible for any damages you or any third party may suffer as a result of misuse of this product as outlined above. You are responsible for product use with an unintended device and any damages resulting from such use. You agree to indemnify the manufacturer for any resulting injuries to any third party(ies).

TECHNICAL SPECS
GENERAL
Weight: 4.23 lbs (1916.6 g)
Dimension: 6.5"x5.7"x2.1"(16.5x14.5x5.4 cm)
Combined output all ports: 150W
USB-C
PD enabled input/output charging
Input: 5V=3A, 9V=3A, 12V=3A, 12V=3A, 15V=3A, 20V 5A, 90W Max
Output Single: 5V=3A, 9V=3A, 12V=3A, 12V=3A, 15V=3A, 20V 5A, 100W Max
Combined USB-C output: 90W (45W each)
USB-A OUTPUT
Port1: QC 3.0 5V=3A, 9V=2A, 12V=1.5A
Port2: QC 3.0 5V=3A, 9V=2A, 12V=1.5A

DC PORT
Bidirectional Input/output charging
Input: 5~25V, up to 5A, 90W max
Output: 5~25V, up to 5A, 100W max
AC PORT
120V AC, 60Hz, 120W max US version
230V AC, 50Hz, 120W max EU version
CAPACITY
12 cells, 142Wh
OPERATING ENVIRONMENT
Temperature 0°C-40°C
Humidity 30-70%
Altitude ≤ 2000m

The DC and USB-C port share a charging circuit. When pass-through charging, only one USB-C port may be used at a time.

MADE IN CHINA

© 2022 Omnicharge.

..omnicharge is a trademark of Omnicharge Inc.

